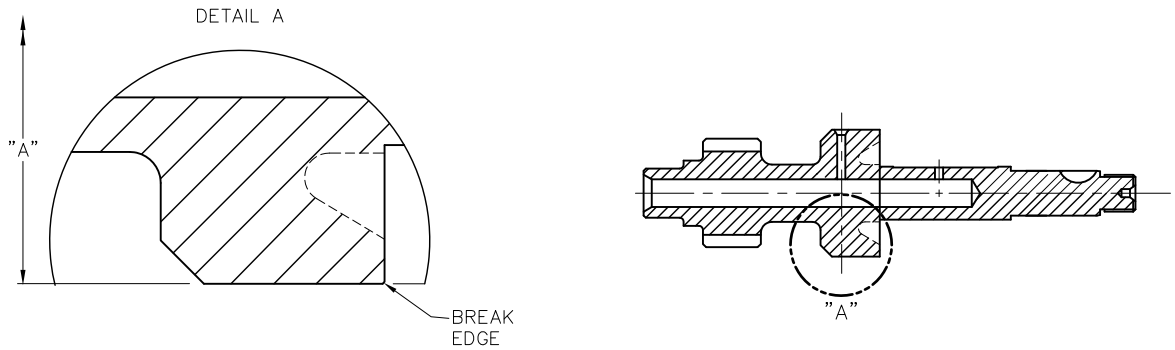
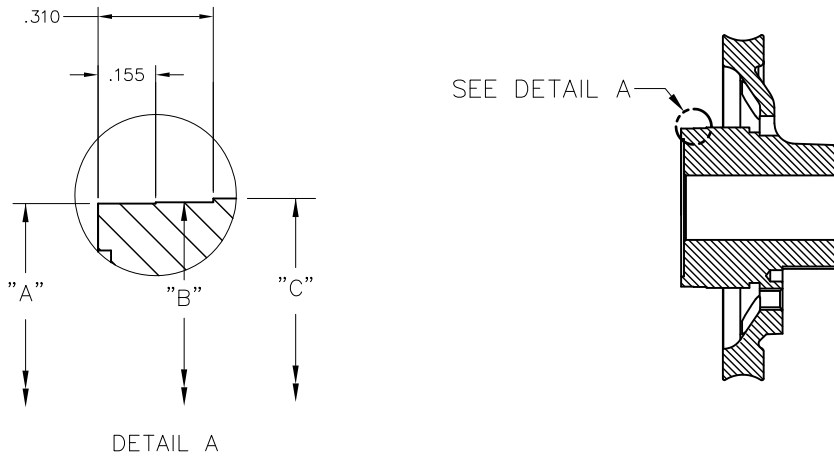


539800, 539601 SERIES SHAFT AND WORM WHEEL SIZES



Shaftgear Drum Dimensions		
Description	"A" Diameter	
	Min.	Max.
New Shaftgear Drum	1.9310	1.9320
0.015 Undersize	1.9160	1.9170
0.028 Undersize	1.9030	1.9040



Worm Wheel Drum Dimensions						
Description	"A" Diameter		"B" Diameter		"C" Diameter	
	Min.	Max.	Min.	Max.	Min.	Max.
New Worm Wheel Drum	1.9310	1.9320	1.9370	1.9380	1.9550	1.9600
0.015 Undersize	1.9160	1.9170	1.9220	1.9230	1.9400	1.9450
0.028 Undersize	1.9030	1.9040	1.9090	1.9100	1.9270	1.9320