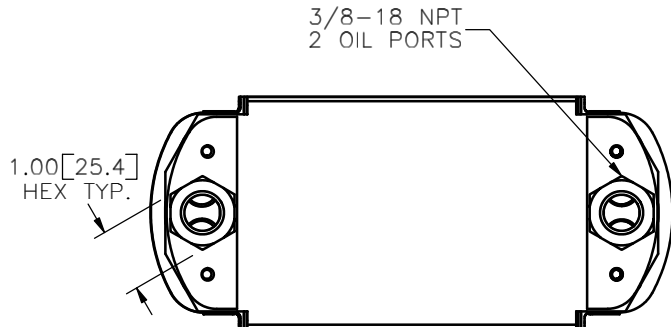


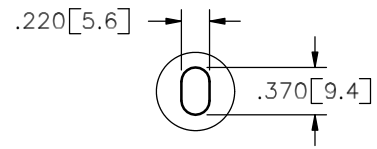


# NIAGARA AIR PARTS INC.

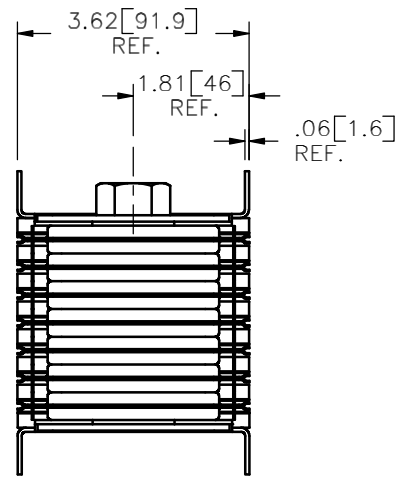
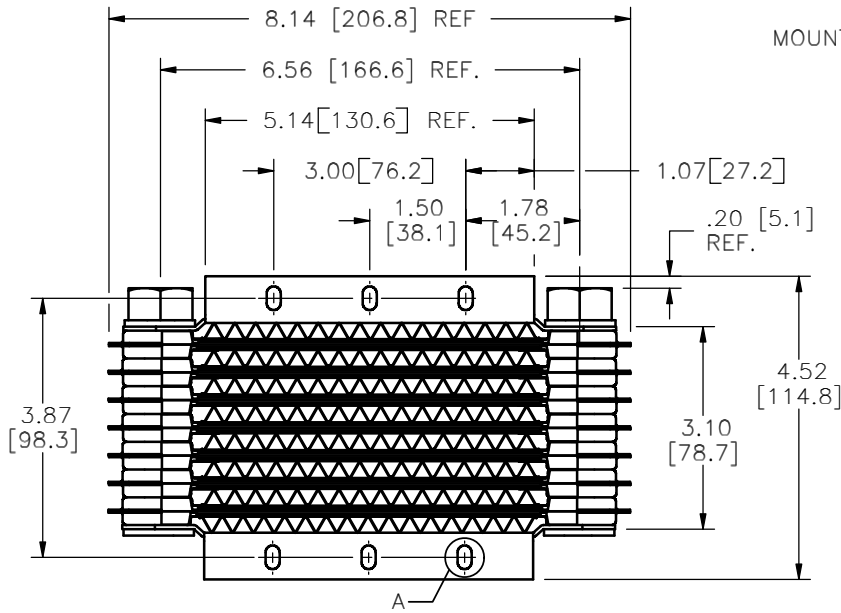
## AIRCRAFT OIL COOLER P/N: 20002A



DIMENSIONS ARE SHOWN IN INCHES  
w/ MILLIMETERS IN BRACKETS [ ].



DETAIL A  
MOUNTING SLOTS TYP.



**DRY WEIGHT 1.9 LBS. 7 ROWS**

**FAA-PMA AIRCRAFT ELIGIBILITY:**

- Machen-601, 601P**
- Univair-108, 108-1, 108-2, 108-3**
- Craig Helicopters UH-12E**
- Bush Conversions: Cessna C-150, C-152, C-170, C-172, C-175, C-177**
- Piper-PA28-161, PA28-181**
- Beech-P19, C23, A24R, C24R**
- Model 77, Sierra 200**
- General Avia F22B, F22C, F22R**

**REF. HARRISON P/N 8526250**  
**REF. PIPER CODE NO. 455-165**

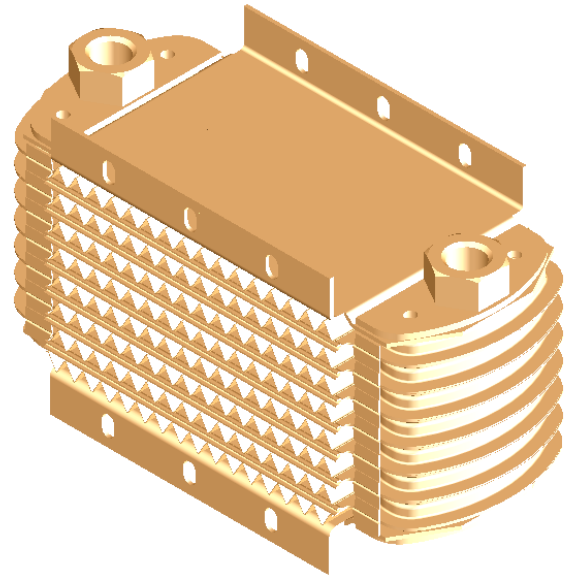
**Niagara Air Parts Inc.**  
 2221 Niagara Falls Blvd  
 Niagara Falls NY  
 USA 14304  
 (800) 565-4268  
[www.niagaraairparts.com](http://www.niagaraairparts.com)  
[sales@niagaraairparts.com](mailto:sales@niagaraairparts.com)



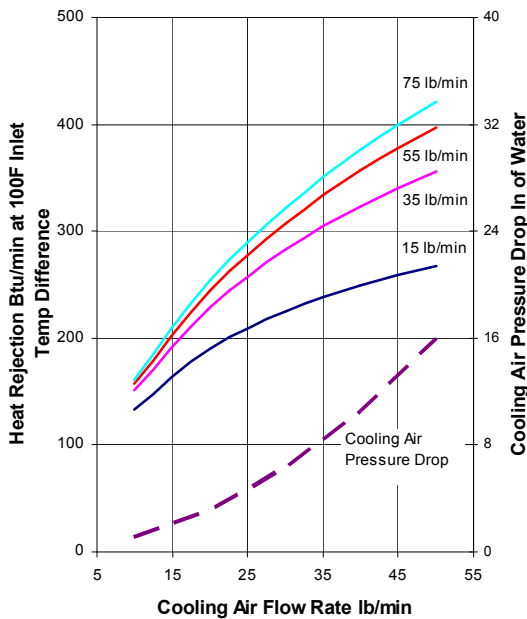
# NIAGARA AIR PARTS INC.

## AIRCRAFT OIL COOLER P/N: 20002A

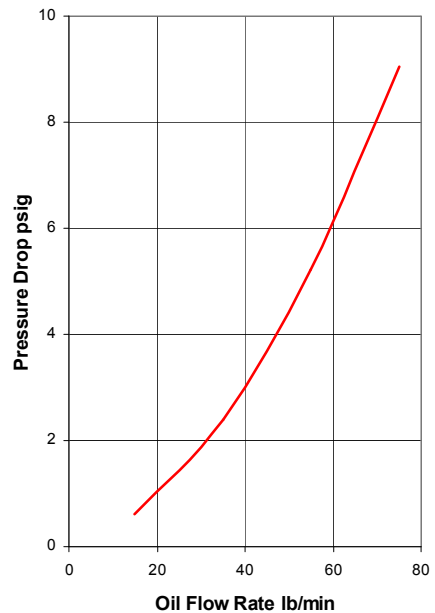
This Oil Cooler features lightweight vacuum brazed aluminum construction providing reliable service, efficient heat transfer and low pressure drop. All units have FAA-PMA and are proof pressure tested at 400 psig and leak tested at 100 psig. Corrosion protection is provided by MIL-C-5541 Class 1A chromicoat.



Heat Rejection and Cooling Air Pressure Drop



Oil Pressure Drop



Niagara Air Parts Inc.  
2221 Niagara Falls Blvd  
Niagara Falls NY  
USA 14304  
(800) 565-4268  
[www.niagaraairparts.com](http://www.niagaraairparts.com)  
[sales@niagaraairparts.com](mailto:sales@niagaraairparts.com)